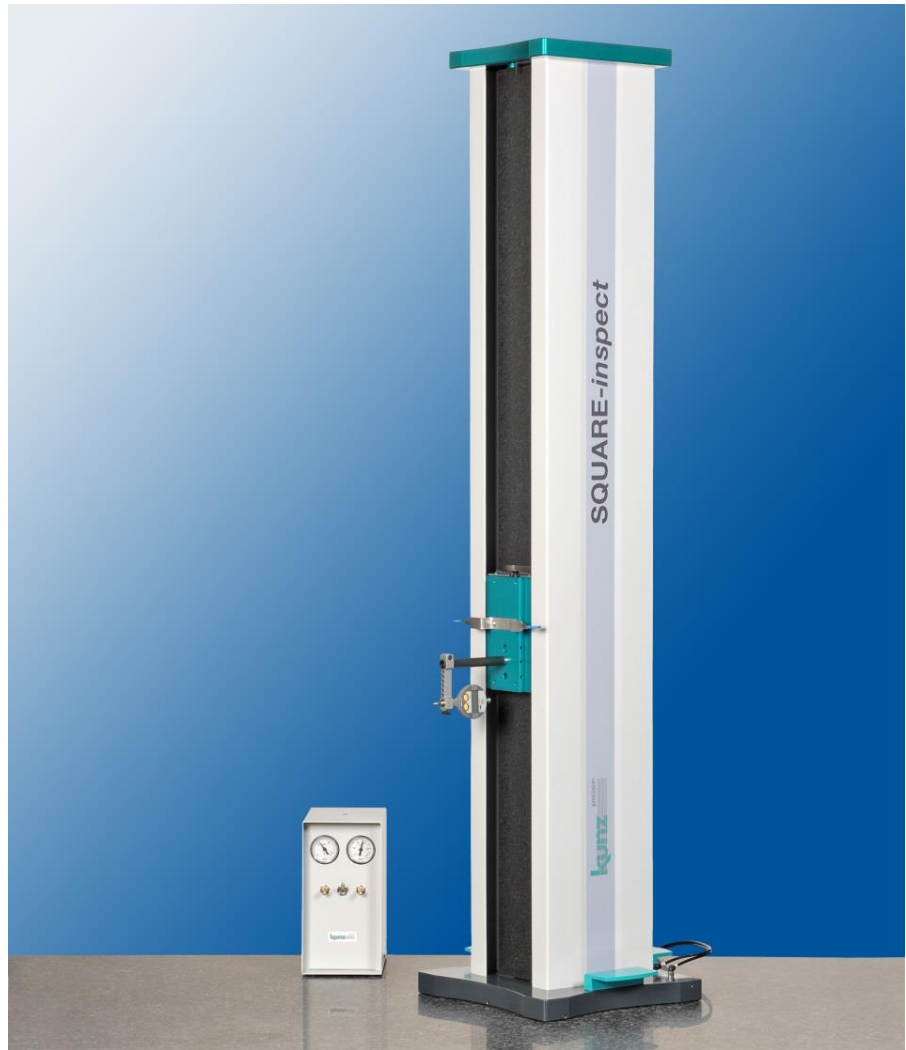


SQUARE-*inspect*



SQUARE-*inspect*

The highly precise, two-axis squareness measuring device with large measuring length. For the daily use, even under rough workshop conditions.



SQUARE-*inspect*

Precise and robust at the same time

SQUARE-*inspect* is a highly accurate, two-axis squareness measuring device with long travel, ideally suited for the daily use even under rough workshop conditions.

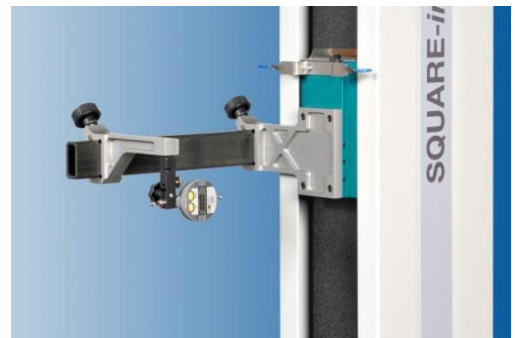
User-friendly operation

The device consists of a precisely machined, fine grained hard stone column and a manually movable vacuum air bearing measuring slide. An integrated counterweight guarantees the subtle weight balance and holds the measuring slide in the favoured position. The measuring slide can be moved very smoothly in vertical direction.



Smooth moving on the test plate

An air-bearing, which is integrated in the base-plate ensures a light and gentle movement of the device on the test plate. Thanks to the high precision of SQUARE-*inspect*, measurements and alignment works are possible in highest precision and repeatability. The measurements can be carried out manually or optionally with our measuring software solution SQUARE-*soft*.



SQUARE-*inspect*

Typical applications

Typical applications of SQUARE-*inspect* are squareness measurements on machine supports and the measuring and alignment of vertically arranged linear guides during their assembly process.

SQUARE-*inspect* also allows measurement with long measuring probe holders in highest precision, if desired with the probe directing toward the front or sideways – or both simultaneously. A variety of accessories for adapting the probe facilitate the measuring process significantly.

Your advantages

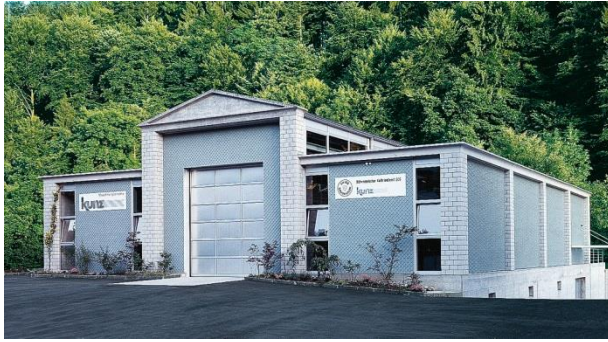
- Two measuring directions (frontal/lateral)
- Workshop proven
- Large measuring range
- Easiest handling
- Fast and efficient measuring
- High precision
- Incl. calibration SCS (ISO/IEC 17025)

Technical data

SQUARE- <i>inspect</i>	Type 700	Type 1000
Travel	715 mm	1015 mm
Dimensions (L×W×H)	310 × 306 × 945 mm	310 × 306 × 1245 mm
Weight	42 kg	49 kg
Required compressed air	6 bar	6 bar
Air consumption	40 l/min	40 l/min
Measurement reading	static (manually)	static (manually)
Accuracy (excl. measuring probe)		
Squareness according to ISO (frontal)*	1.5 µm	2.0 µm
Squareness according to ISO (sideways)*	1.5 µm	2.0 µm
Repeatability	0.2 µm	0.2 µm

The accuracy values apply to 20 °C and stable temperature conditions. *The squareness measurement value applies to a theoretical line approx. 60 mm centrally in front of the guideway surface.

SQUARE-*inspect* is available in the types 500, 700, 1000, 1200, 1500 and special solutions.



«With our measurement services and products we fulfil an important contribution in metrology. For this we find excellent solutions that inspire. Kunz precision AG excels with the highest measurement accuracy – world-wide.»

Ernst Kunz, CEO



Kunz precision AG
Riedtalstrasse 16
CH-4800 Zofingen
Switzerland

Fon +41 (0)62 746 00 20
Fax +41 (0)62 746 00 21
mailbox@kunz-precision.ch
www.kunz-precision.ch